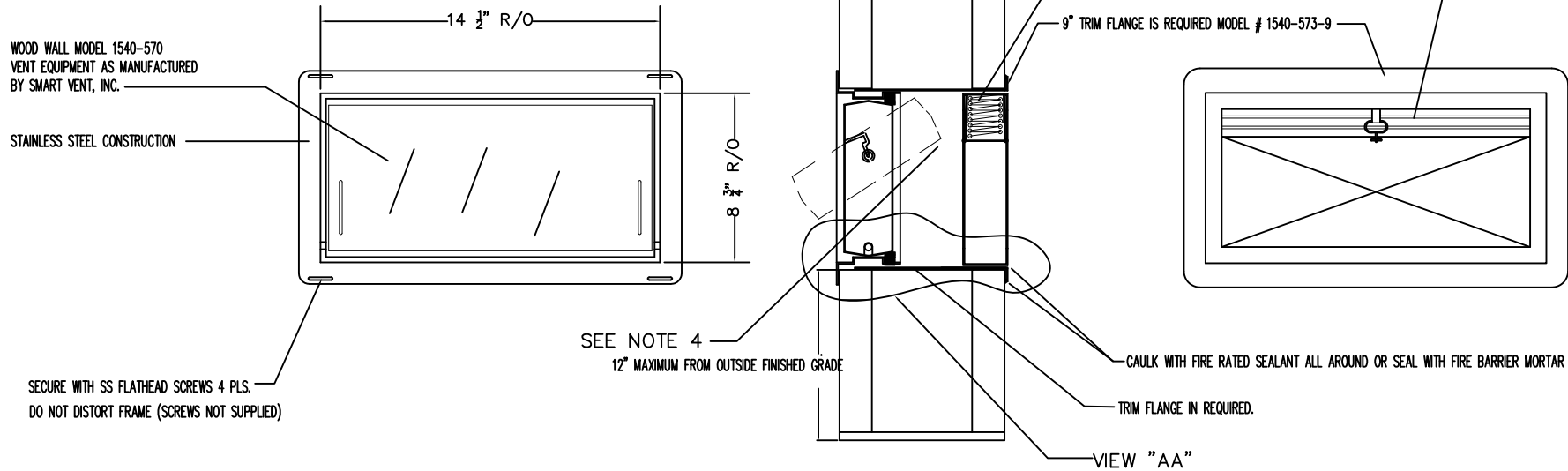




SMART VENT
877-441-8368

WWW.SMARTVENT.COM

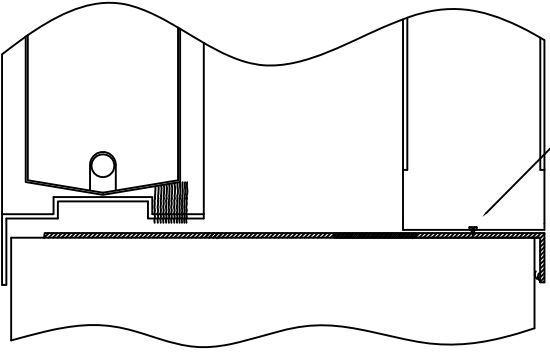
FIRE DAMPER - WOOD WALL MODEL 1540-537-2HR



E

SCALE: 3" = 1'-0"

SECURE TOP AND BOTTOM



VIEW "AA"
ENLARGED FOR CLARITY

NOTES:

- 1- INSTALL TRIM FLANGE 1540-573 or 1540-573-9 INTO ROUGH OPENING AND SEAL WITH FIRE RATED CAULK.
- 2- INSTALL AND SECURE THE FLOOD VENT USING THE 4 SLOTS AND 4 SS SCREWS (NOT SUPPLIED)
- 3- FIRE DAMPER MUST BE SECURED INTO OPENING FLUSH WITH OUTSIDE TRIM FLANGE USING NON CORROSIVE FASTENERS. FASTENERS MUST NOT DEFORM OR IMPEDE THE OPERATION OF THE DOOR.
- 4- WHEN FLOOD DOOR IS OPENED IT MUST NOT CONTACT THE FIRE DAMPER IN ANY WAY.
- 5- CONTACT YOUR LOCAL BUILDING CODE INSPECTOR FOR SPECIFIC FIRE CODE REGULATIONS.

TOLERANCES UNLESS OTHERWISE SPECIFIED X.X +/-0.06 X.XX +/-0.03 X.XXX +/-0.005	 SMART VENT 877-441-8368 WWW.SMARTVENT.COM		SMART VENT Foundation Flood Vents 450 AndBro Dr., Suite 2B Pitman NJ 08071		
			MODEL # 5513 (2) HOUR THIN LINE FIRE DAMPER AND WOOD WALL FLOOD VENT ASSEMBLY		
THE INFORMATION CONTAINED IN THIS DRAWING IS THE SOLE PROPERTY OF SMART VENT, INC. IF USED IN PROJECT, CHANGES TO DRAWING ARE PROHIBITED WITHOUT THE WRITTEN PERMISSION OF SMART VENT, INC.		SIZE A	FSCM NO.	DWG NO. 1540-537-2HR	REV C
DR. .		DATE: 5-15-09		SHEET 1 OF 1	