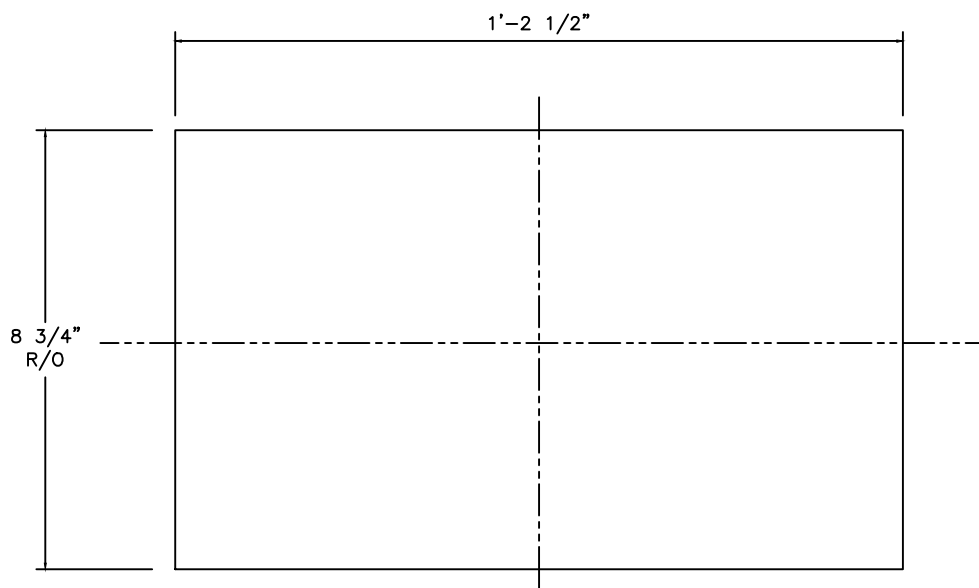
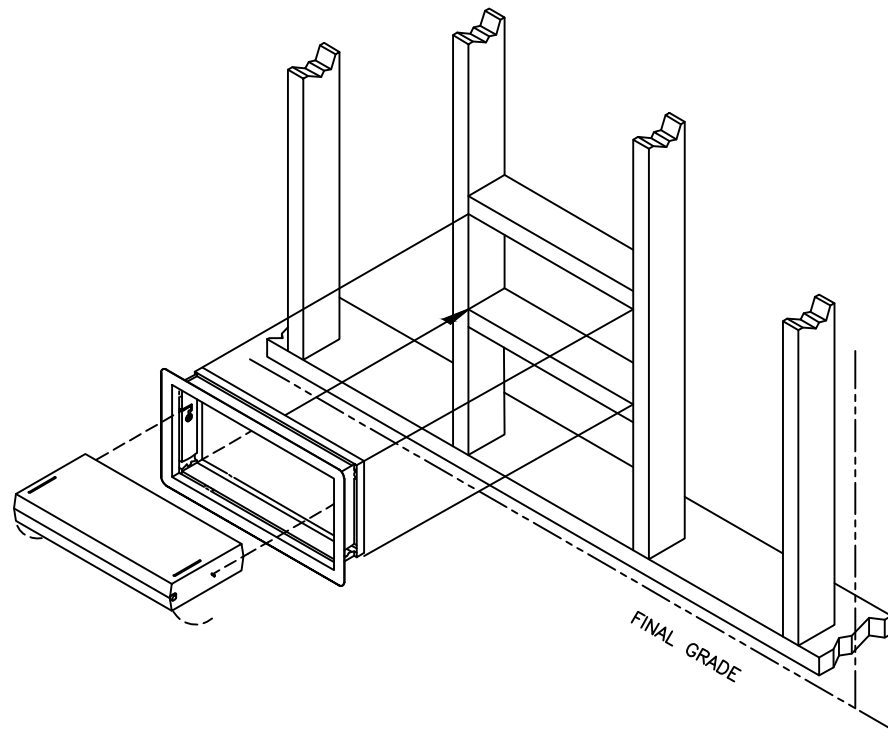
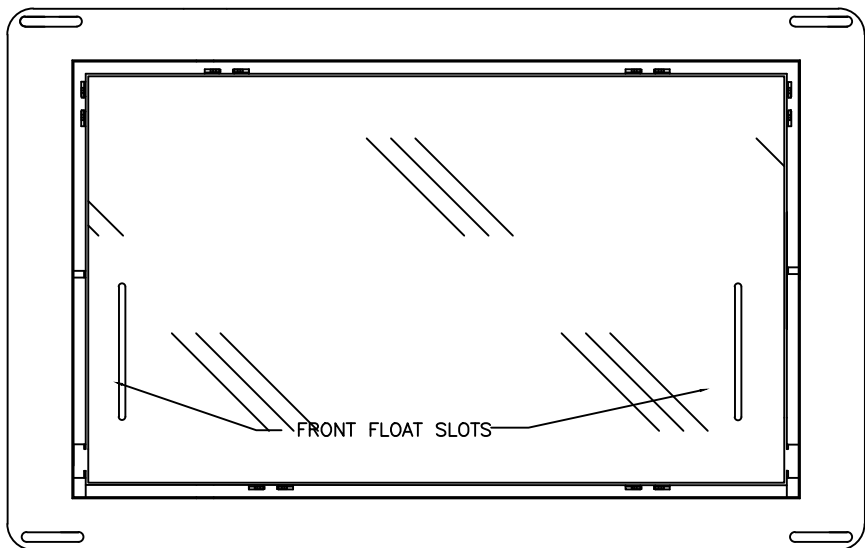



DETAIL DIAGRAM
 MODEL 1540-570
 14.5" WOOD WALL INSULATED



ROUGH OPENING DIAGRAM
 DESIGNED TO FIT BETWEEN 2 BI WOOD STUDS

 SMART VENT® 877-441-8368 WWW.SMARTVENT.COM		SMART VENT FOUNDATION FLOOD VENTS 430 ANDBRO DR., UNIT 1 PITMAN NJ 08071		
		14.5" WOOD WALL INSULATED MODEL 1540-570		
SIZE A	DWG NO.	1540-570		REV A
DATE: 6-21-16		SHEET 1 OF 2		



Smart VENT

877- 441- 8368

www.smartvent.com

INSTALLATION INSTRUCTIONS
& DETAILS
MODEL 1540-570
14.5" WOOD WALL INSULATED
REV. 6-21-16

INSTALLATION INSTRUCTIONS

(SEE DIAGRAM ON BACK PAGE 1 OF 2)

1. FOR EACH VENT CUT A CLEAN, SQUARE, AND LEVEL 14 1/2" X 8 3/4" OPENING IN THE OUTSIDE SHEATHING. ENSURE THAT THE BOTTOM OF THE OPENING IS NO MORE THAN 12" ABOVE THE OUTSIDE FINAL GRADE.
2. REMOVE VENT DOOR FROM VENT FRAME. (TURN UPSIDE DOWN, ROTATE BOTTOM OF DOOR OUTWARD AND SLIDE OUT OF FRAME SLOTS)
3. POSITION THE VENT FRAME IN THE OPENING WITH SERIAL NUMBER LABEL ON THE BOTTOM AND ENSURE THAT IT IS SQUARE AND LEVEL. APPLY A SMALL BEAD OF HURRIBOND GRIP & SEAL OR EQUIVALENT ADHESIVE BEHIND THE VENT FRONT FRAME AS SHOWN IN THE DIAGRAM.
4. USE 4 EACH FLATHEAD STAINLESS STEEL SCREWS TO SECURE THE FRAME THROUGH THE SHEATHING AND INTO THE STRUCTURAL MEMBER.
NOTE: THIS MODEL DOES NOT CONTAIN STRAPS.
5. INSTALL THE DOOR BY INSERTING THE SIDE PINS INTO THE TRACKS AT THE SIDES OF THE VENT FRAME. ENSURE THE BLACK FLOAT PINS ARE FACING DOWNWARD.
6. LET THE BOTTOM OF THE VENT DOOR GO SO THAT IT ROTATES DOWN INTO THE VENT FRAME. CHECK THAT VENT DOOR IS LATCHED ON BOTH SIDES.
7. TO OPEN THE DOOR INSERT 2 CREDIT CARDS INTO THE FLOAT SLOTS AS SHOWN IN THE DIAGRAM.
8. THE OUTSIDE FLANGE AND SCREWS CAN BE COVERED WITH "J" CHANNEL OR ANY SURFACE TREATMENT LIKE BRICK OR STONE. USE CAUTION DO NOT APPLY ANY COVERING THAT WILL IMPEDE THE MOVEMENT OF THE VENT DOOR IN ANY DIRECTION.

DETAIL SPECIFICATIONS:

MATERIAL: STAINLESS STEEL

OPERATION: AUTOMATIC NON-POWERED ACTIVATION AND OPERATION
VENT REMAINS CLOSED AND LOCKED UNTIL ACTIVATED

INSTALLATION:

SECURED W/ 4 STAINLESS STEEL FLATHEAD SCREWS

NOTE: THIS MODEL DOES NOT CONTAIN STRAPS

HYDROSTATIC RELIEF: 200 SQ. FT PER VENT

REQUIREMENTS: MINIMUM OF 2 VENTS PER ENCLOSED AREA
MOUNTED ON OPPOSITE OR ADJACENT WALLS

COLORS: STAINLESS STEEL (STANDARD)

WHITE, WHEAT, GRAY, AND BLACK (AVAILABLE)

MEETS THE REQUIREMENTS FOR ENGINEERED OPENINGS AS SET FORTH BY:
FEMA, NFIP, ICC, & ASCE
SUPPORTIVE DOCUMENTS, TB 1-08, 44CFR 60.3(C)(5), ASCE 24-14
ICC EVALUATION # ESR-2074