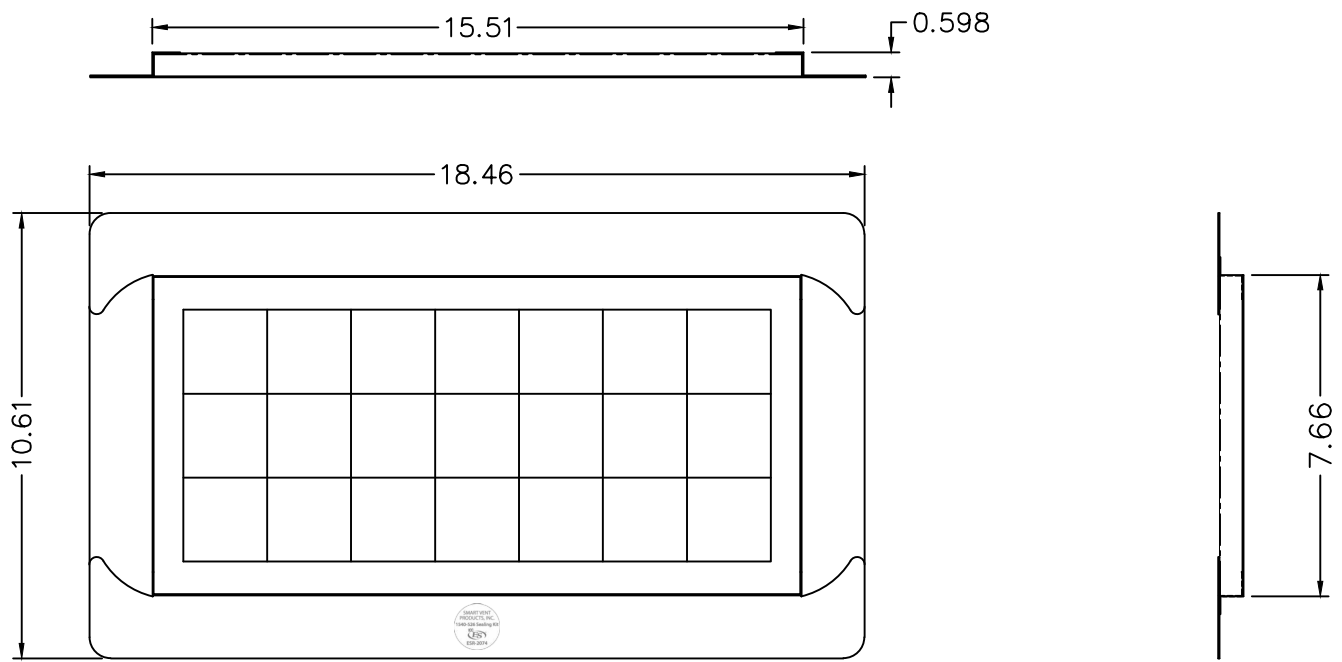



REVISIONS				
ZONE	REV	DESCRIPTION	DATE	APPROVED



Material: 0.024" Stainless Steel  
 Finish : Powder Coat White

TOLERANCES UNLESS OTHERWISE SPECIFIED X.X +/-0.06 X.XX +/-0.03 X.XXX +/-0.005	 Foundation Flood Vents  <b>877-441-8368</b> SMARTVENT.COM		<b>SMART VENT PRODUCTS, INC</b> 430 Andbro Dr. Unit 1 Pitman NJ 08071		
			Flood Vent Sealing Kit Single		
THE INFORMATION CONTAINED IN THIS DRAWING IS THE SOLE PROPERTY OF SMART VENT INC. ANY REPRODUCTION OR USE OF THIS INFORMATION WITHOUT THE WRITTEN PERMISSION OF SMARTVENT INC. IS PROHIBITED.		SIZE	FSCM NO.	DWG NO. 1540-526	REV
DR. BB		DATE. 6/19/20		SHEET	