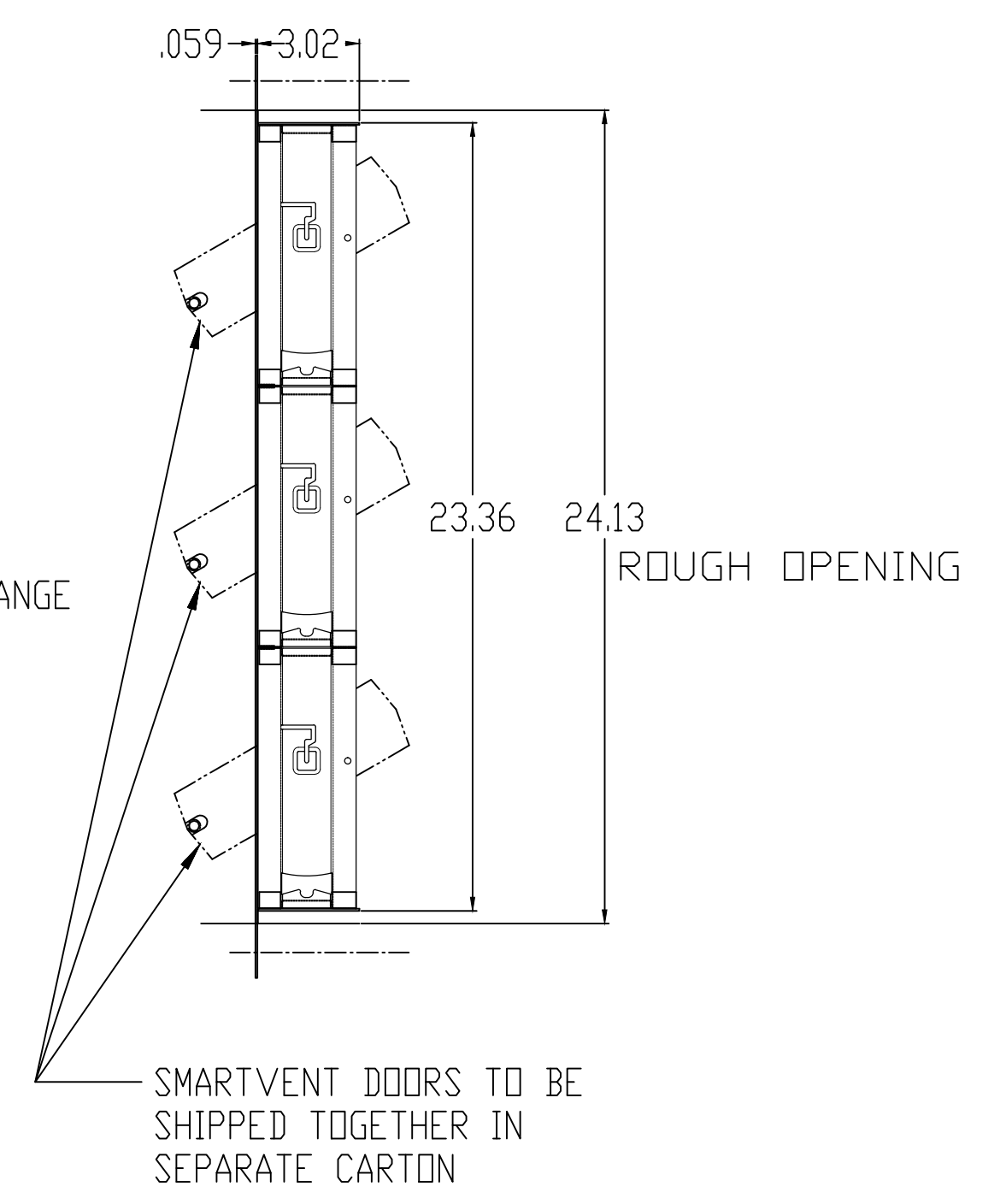
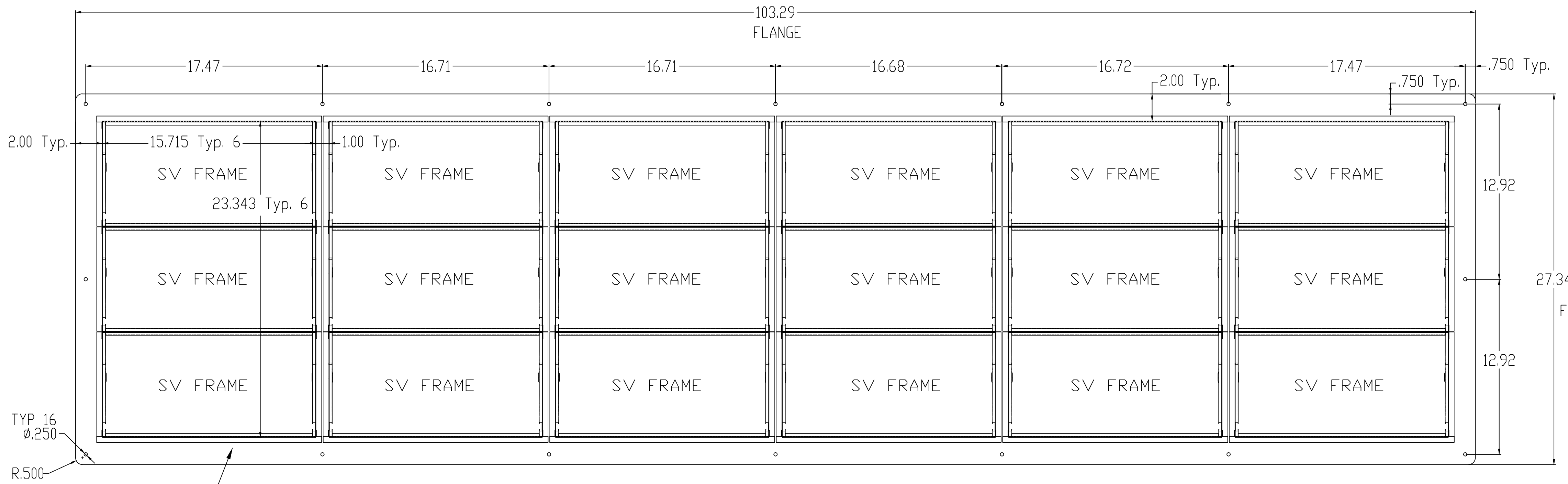
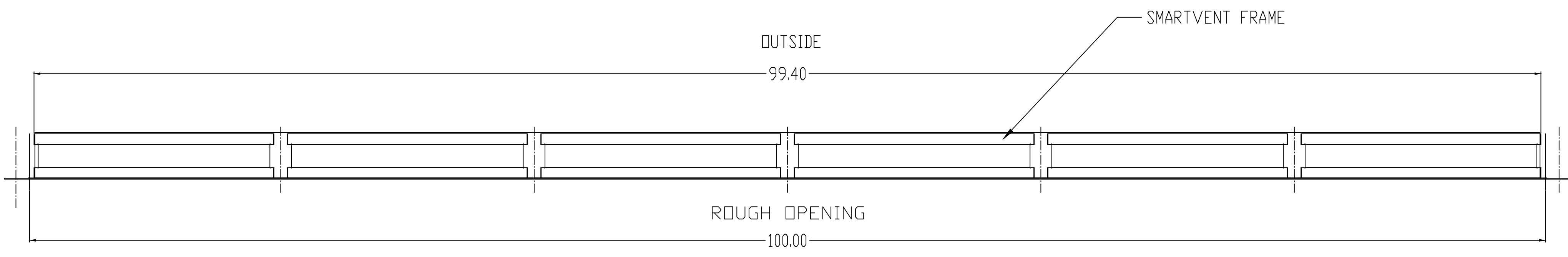
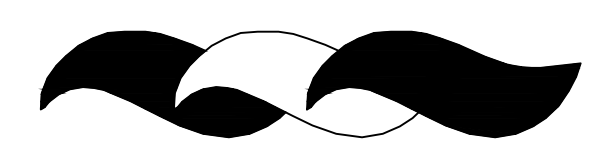


REVISIONS				
ZONE	REV	DESCRIPTION	DATE	APPROVED



MATERIAL:-STAINLESS STEEL, TYPE 316 16GA. (.059")

NOTES:-1:-DOORS ARE PACKAGED SEPARABLY, INSTALL AFTER FRAME INSTALLATION.
 2:-INSURE FRAME IS SQUARE AND FLUSH WITH WALL SURFACE.
 3:-ROUGH OPENING 24.13" X 100"

TOLERANCES UNLESS OTHERWISE SPECIFIED X.X +/-0.06 X.XX +/-0.03 X.XXX +/-0.005	 SMART VENT 877-441-8368 WWW.SMARTVENT.COM		SMART VENT PRODUCTS INC. 430 ANDBRO DR. PITMAN NJ 08071		
			6W X 3H MULTI-FRAME SF CONTRACTORS DRAWING ONLY		
THE INFORMATION CONTAINED IN THIS DRAWING IS THE SOLE PROPERTY OF SMART VENT INC. ANY REPRODUCTION OR USE OF THIS INFORMATION WITHOUT THE WRITTEN PERMISSION OF SMARTVENT INC. IS PROHIBITED.		SIZE B	FSCM NO.	DWG NO. 1540-150603-SF	REV
DR.	BB	DATE.	4-27-2021	SHEET	1 OF 1

ITEM	DESCRIPTION	QTY